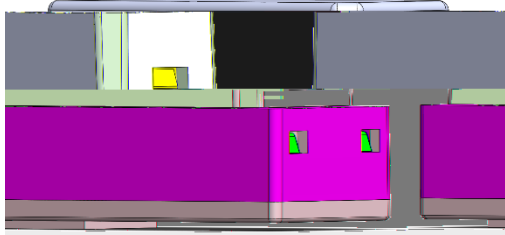


MX0400



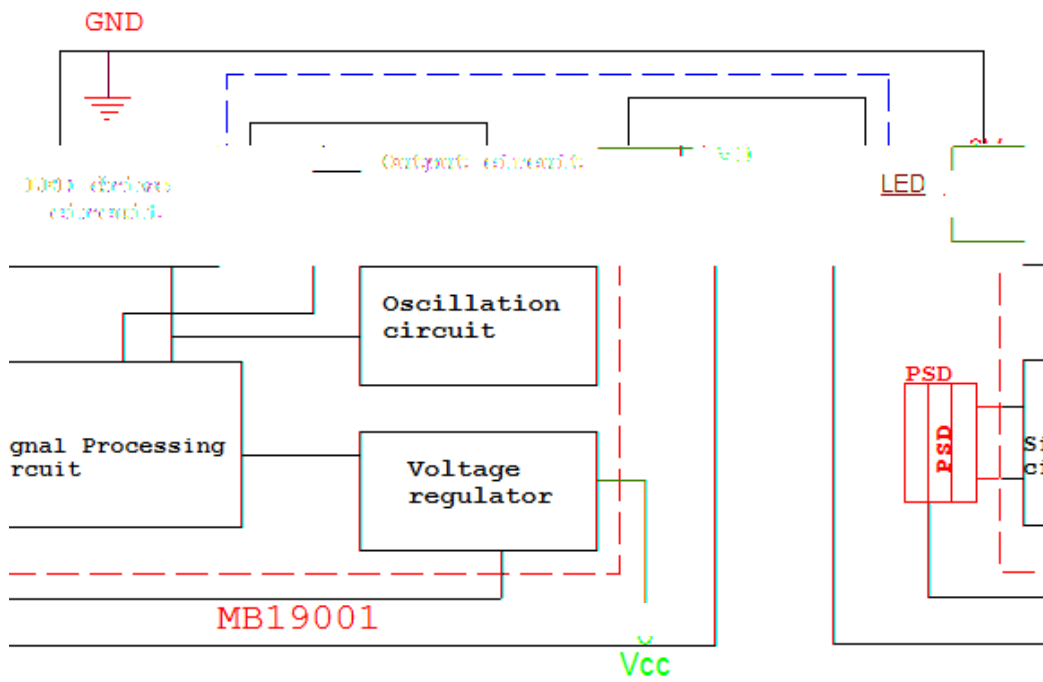
Description

Applications

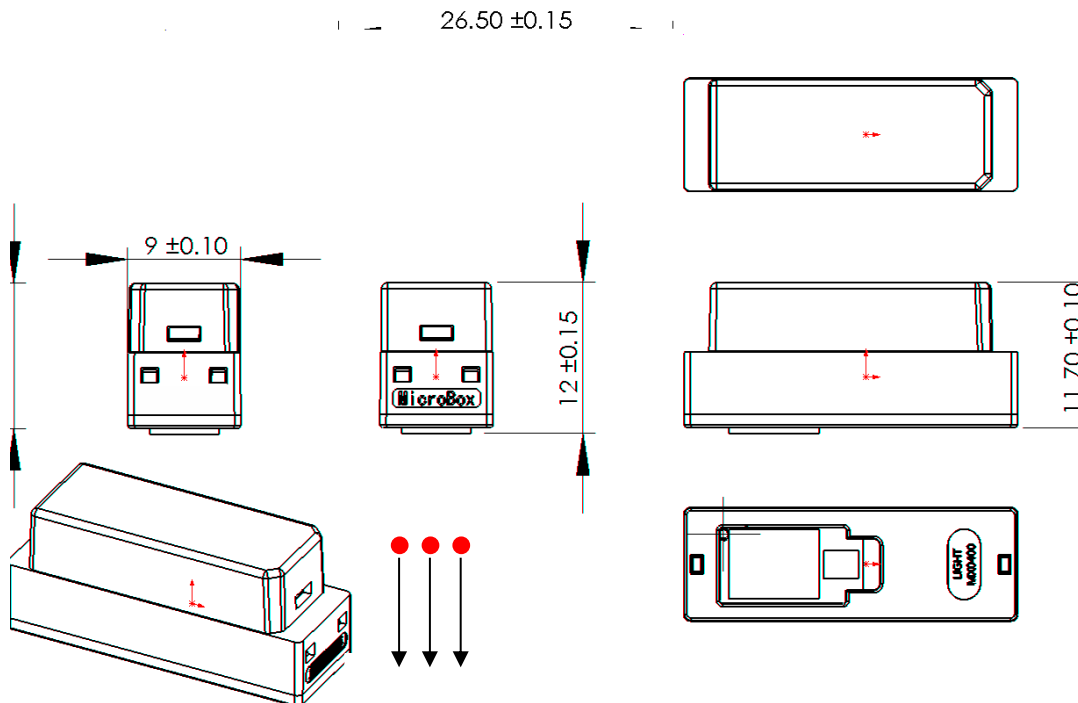
Features

LIGHT

Schematic



Outline



LIGHT

| | |
|-----|-----------|
| pin | Note |
| Vcc | 4.5V-5.5V |
| GND | NA |
| Vo | 0-2.5V |

Absolute maximum ratings

| | | | |
|-------------------------|------|--------------|----|
| | | | |
| Supply voltage | Vcc | 0 to +6.8 | V |
| Output terminal Voltage | Vo | -0.3 to +0.3 | V |
| Operating temperature | Topr | -10 to +60 | °C |
| Storage temperature | Tstg | -40 to +70 | °C |

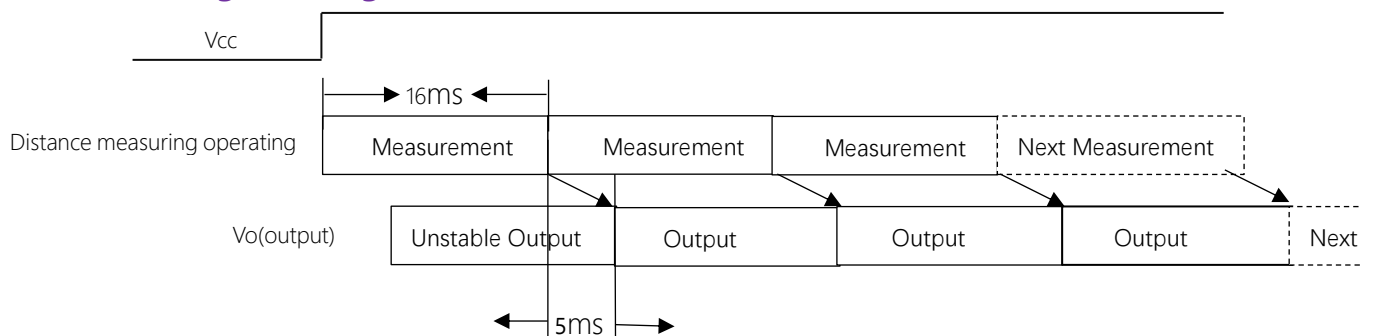
Operating supply voltage

| | | |
|-----|------------|---|
| | | |
| Vcc | 4.5 to 5.5 | V |

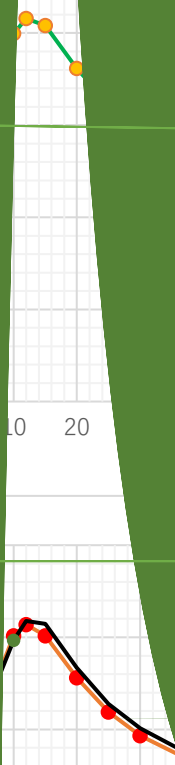
Electro-optical characteristics

| | | | | | | |
|---------------------------|-----|------------|------|------|-----|----|
| | | | | | | |
| Measuring distance range | | NA | 15 | | 150 | mm |
| Output terminal Voltage | Vo | L=20mm | | 1.81 | | V |
| Output voltage difference | | 15mm-150mm | 0.94 | | 2.1 | V |
| Average supply current | Icc | L=150mm | | 10 | | mA |

Timing charting



dis



10 20

■ Notes

-

