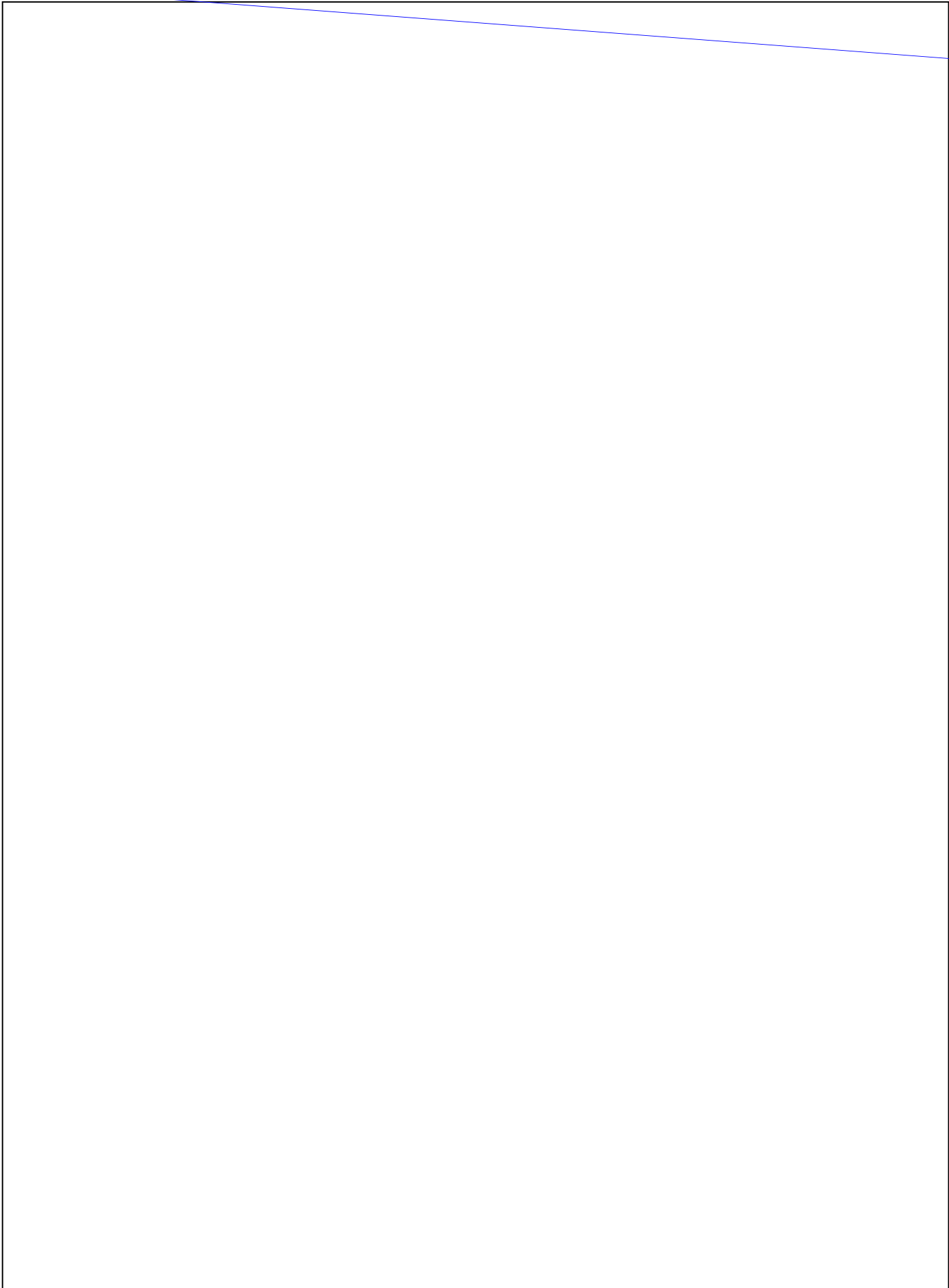


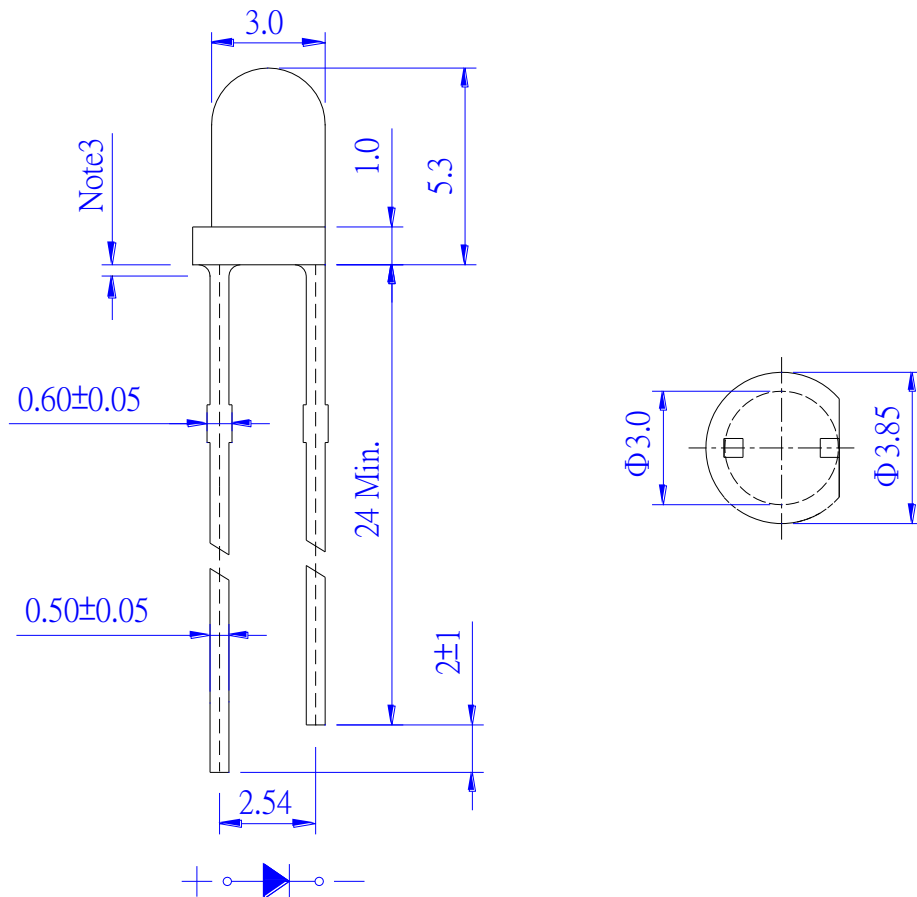
~~LIGHT~~



Features

- ◆ Pb free product RoHS compliant
- ◆ Low power consumption, High efficiency
- ◆ General purpose leads
- ◆ Reliable and rugged
- ◆ Long life solid state reliability
- ◆ Radiant angle: 30 °

Package Dimension



| Part NO. | Chip Material | Lens Color |
|--------------------|---------------|-------------|
| LG-03IR4C94C-302BA | AlGaAs | Water Clear |

Notes:

1. All dimensions are in millimeters.
2. Tolerance is ± 0.20 mm unless otherwise noted.
3. Protruded resin under flange is 1.0mm max.
4. Lead spacing is measured where the leads emerge from the package.
5. Specifications are subject to change without notice.

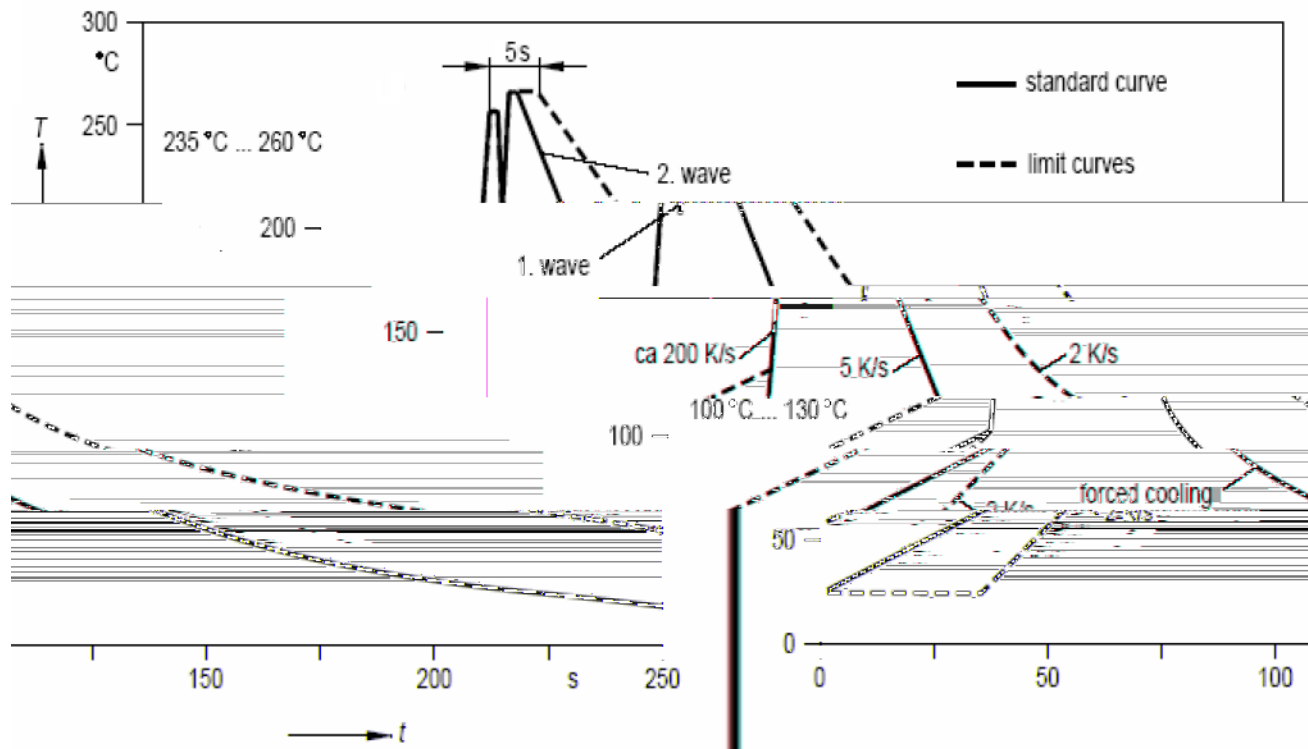
Electrical Optical Characteristics at Ta=25 W

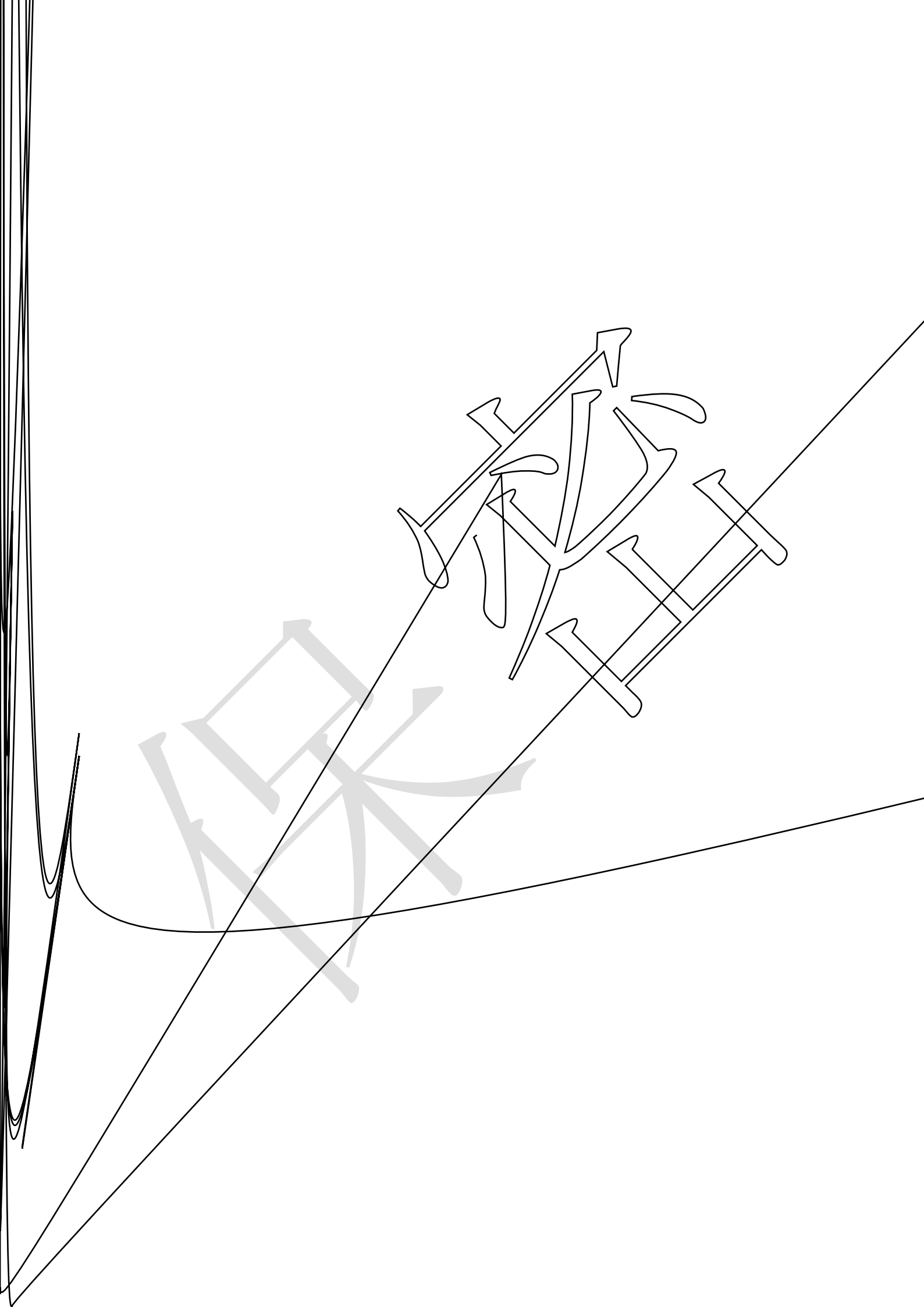
| Parameter | Symbol | Min. | Typ. | Max. | Unit | Test Condition |
|---------------------------|----------------|------|------|------|-------|---------------------------------|
| Radiant Intensity | I _e | 25 | 35 | 51.8 | mW/sr | I _F =50mA (Note 1,3) |
| Viewing Angle | 1/2 | 25 | 30 | 35 | Deg. | (Note 2) |
| Peak Wavelength | | --- | 940 | --- | nm | I _F =20mA |
| Spectral Line Half- Width | Δ | --- | 50 | --- | nm | I _F =20mA |
| Forward Voltage | V _F | --- | 1.25 | 1.5 | V | I _F =50mA |
| Reverse Current | I _R | --- | --- | 100 | μA | V _R =5V |

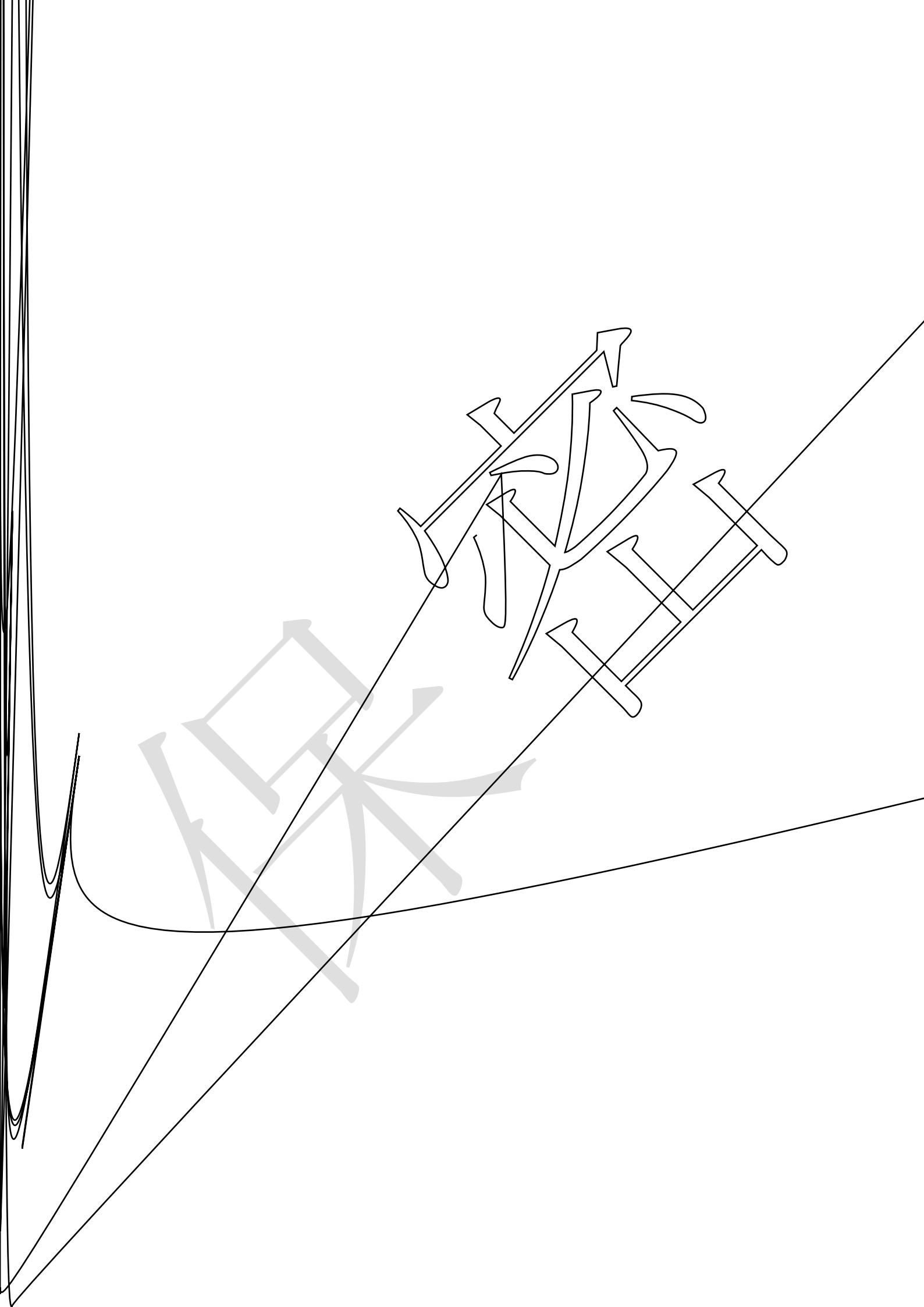
Note:

1. Point sources of the amount of radiation per unit time in a given direction within the unit solid Angle radiated energy.
2. 1/2 is the off-axis angle at which the Radiant Intensity is half the axial Radiant Intensity.
3. The I_e guarantee should be added ±15% tolerance.

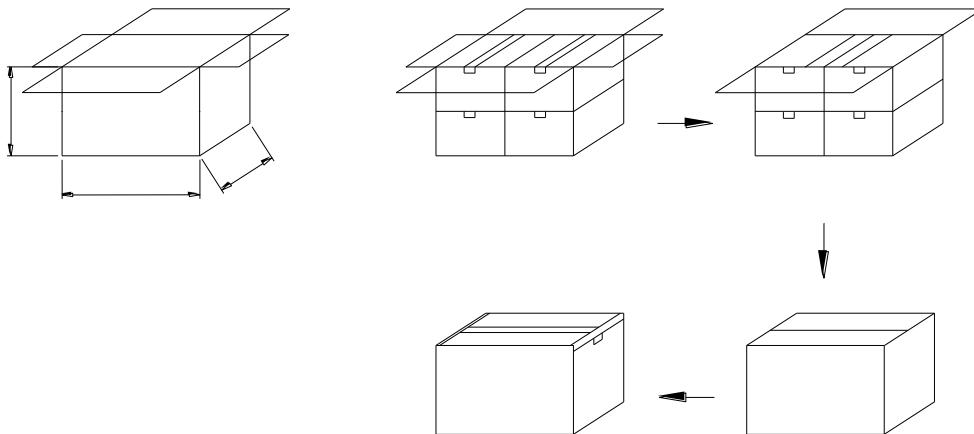
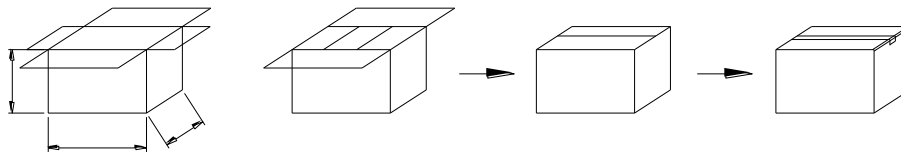
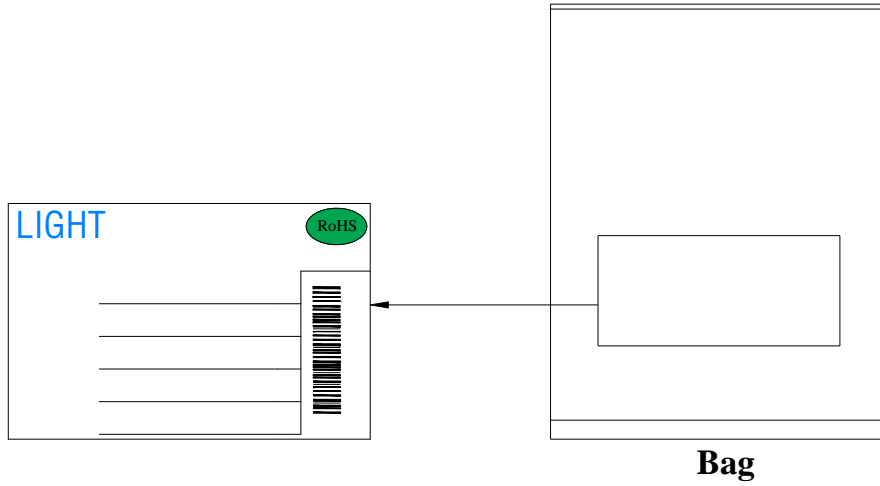
Recommended Wave Soldering Profile







PACKAGE



| Bag minimum volume (pcs / Bag) | Bag volume (pcs / Bag) | Inner box volume (Bag / box) | Outer carton volume (Box / Carton) |
|-----------------------------------|---------------------------|---------------------------------|---------------------------------------|
| 250 | 1000 | 10 | 4 |

Radiant Intensity Bin Code (IF=50mA)

| BIN CODE | Min. (mW/sr) | Max. (mW/sr) |
|----------|--------------|--------------|
| 4 | 25 | 30 |
| 5-A | 30 | 32.9 |
| 5-B | 32.9 | 35.2 |
| 6 | 35.2 | 43.2 |
| 7 | 43.2 | 51.8 |

NOTE: The I_e guarantee should be added $\pm 15\%$ tolerance.